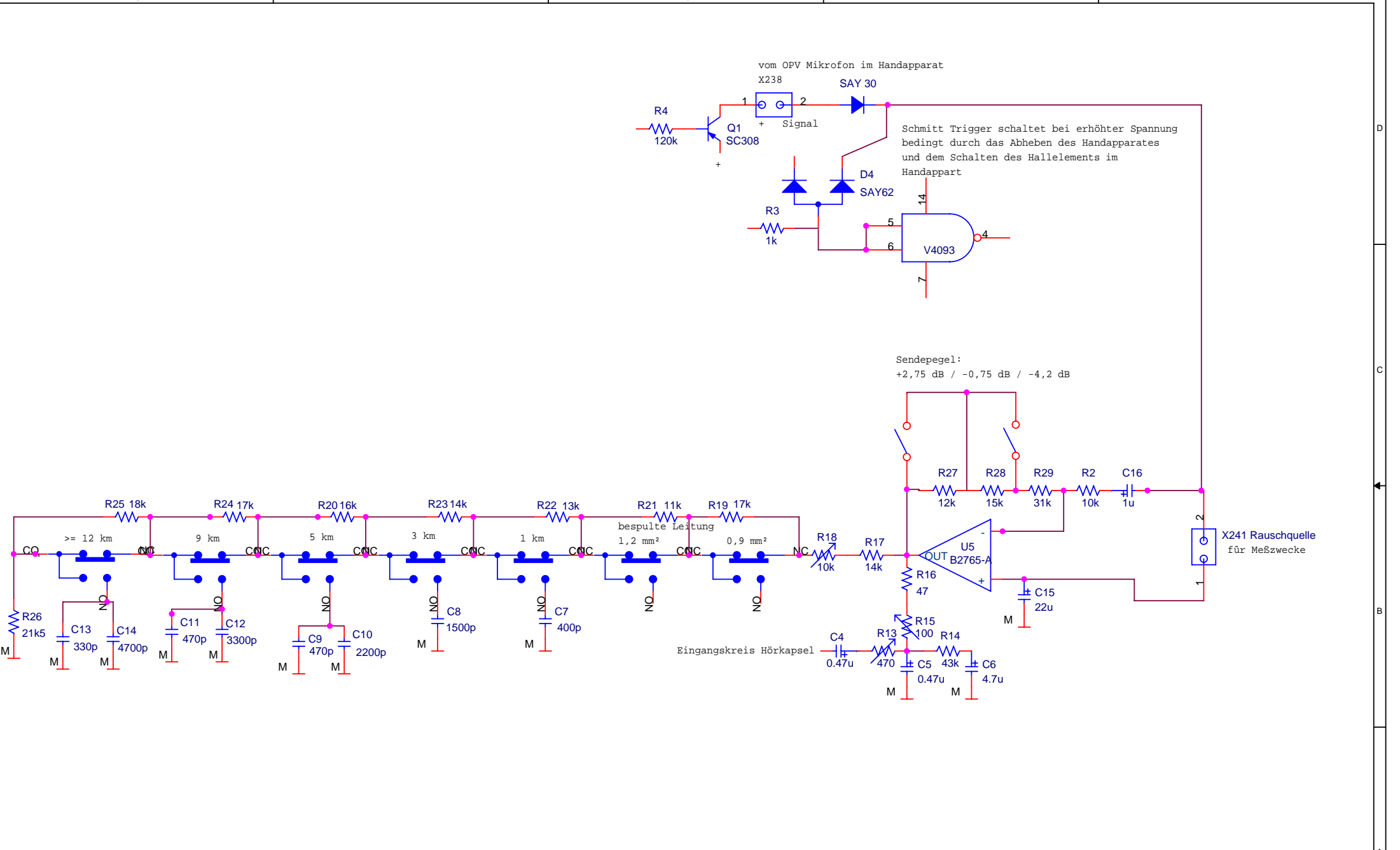


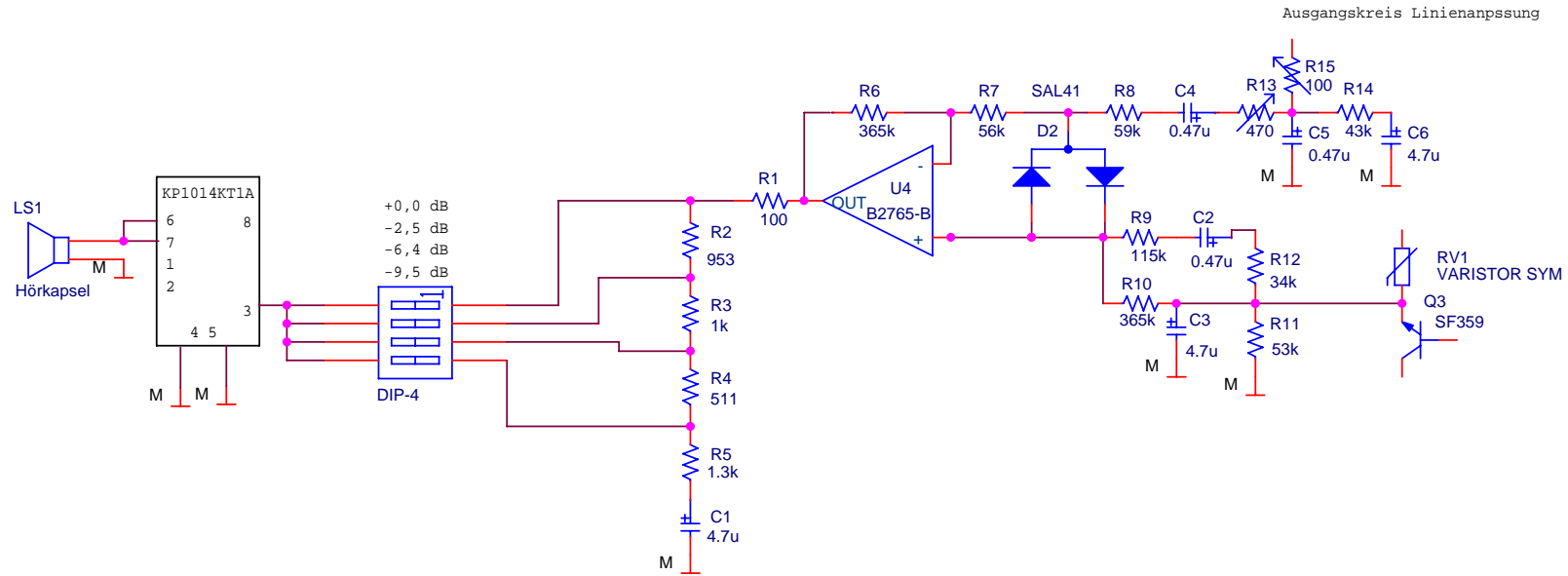
IC1 = B461G Hall-Sensor (SAS 261)
 IC2 = B 176 D programmierbarer Operationsverstärker (uA 176)
 R1 = 2 M
 R2 = 110 k
 R3 = 38 k3
 R4 = 100 k
 R5 = 47 k
 R6 = 1 k5
 C1 = 2,2 uF / 20 V
 C2 = 2,2uF / 20 V
 C3 = 1 nF kermaik
 Mi 1 = Mikrofonkapsel, keine Kohlegrieß!
 Hö 1 = Kopfhörerkapsel

Title		
Sonderapparat Fe-S-84 WTsch Apparat Hörer / Handapparat		
Size	Document Number	Rev
A	VVS MfS o-261-54/88 Ex.690	1
Date:	Saturday, July 22, 2006	Sheet 1 of 1

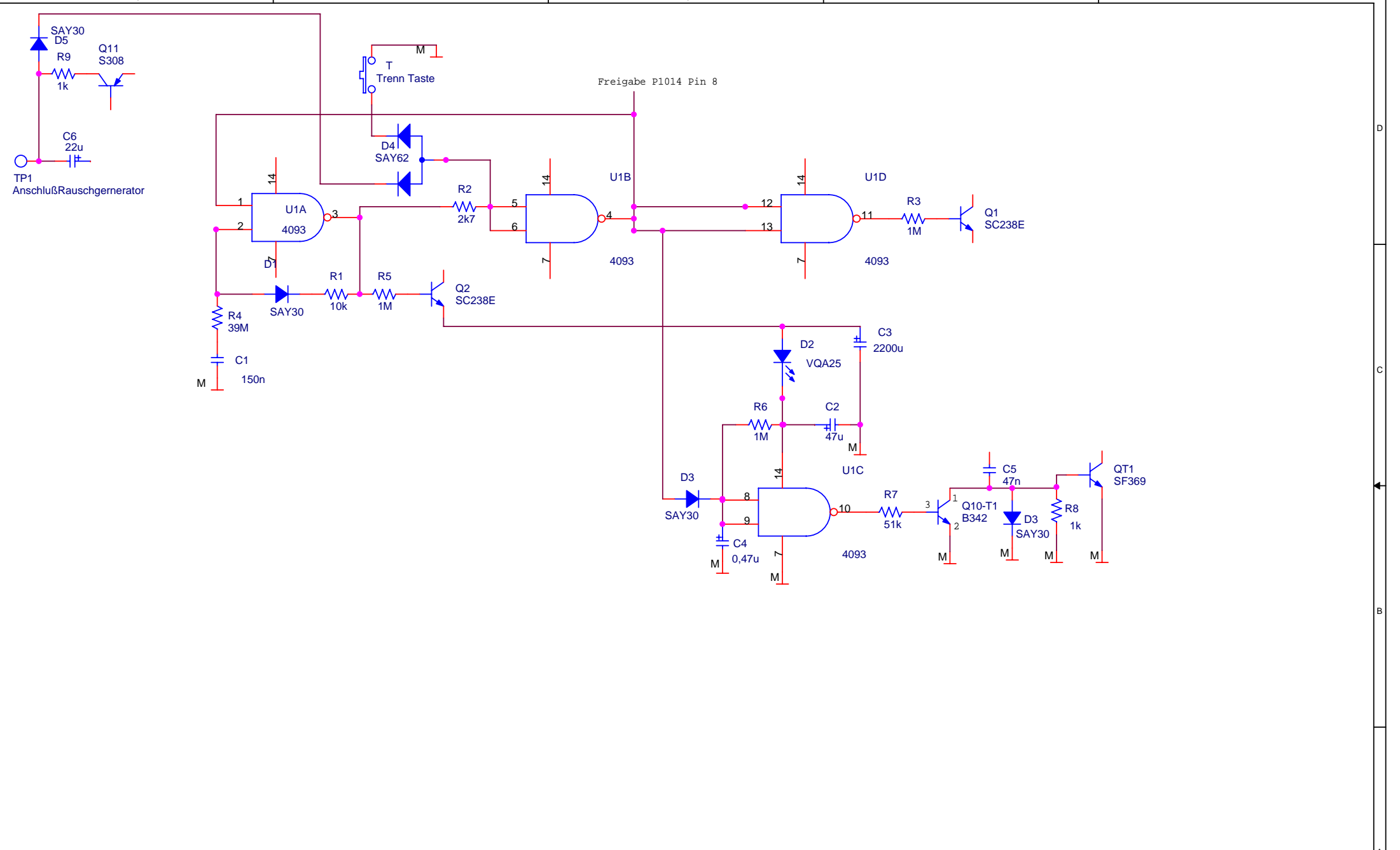


Sendepegel:
+2,75 dB / -0,75 dB / -4,2 dB

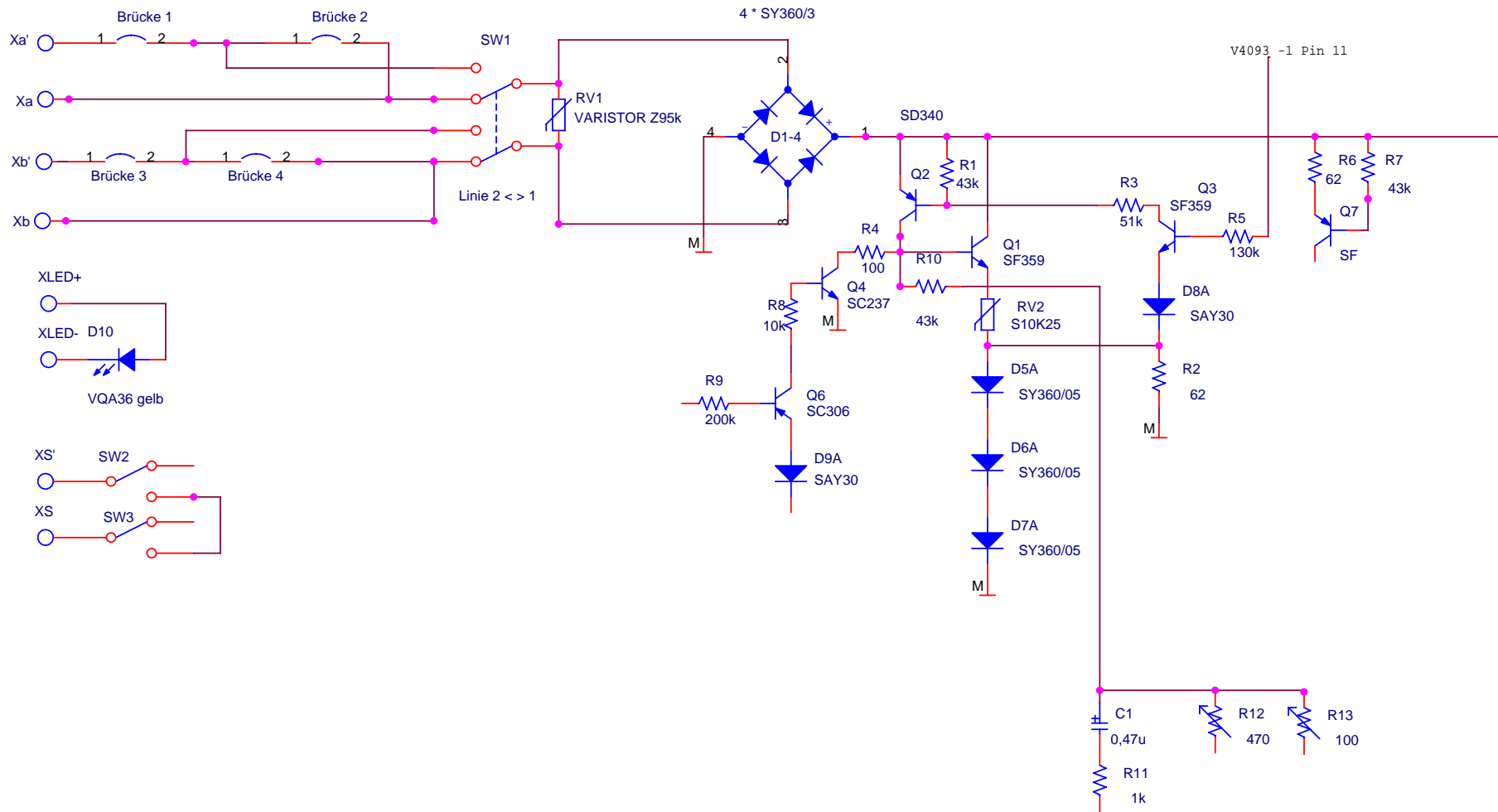
Title		
Anpassung an den Bedingungen der Linie		
Size	Document Number	Rev
A4	Wtsch	
Date:	Friday, August 18, 2006	Sheet 1 of 1



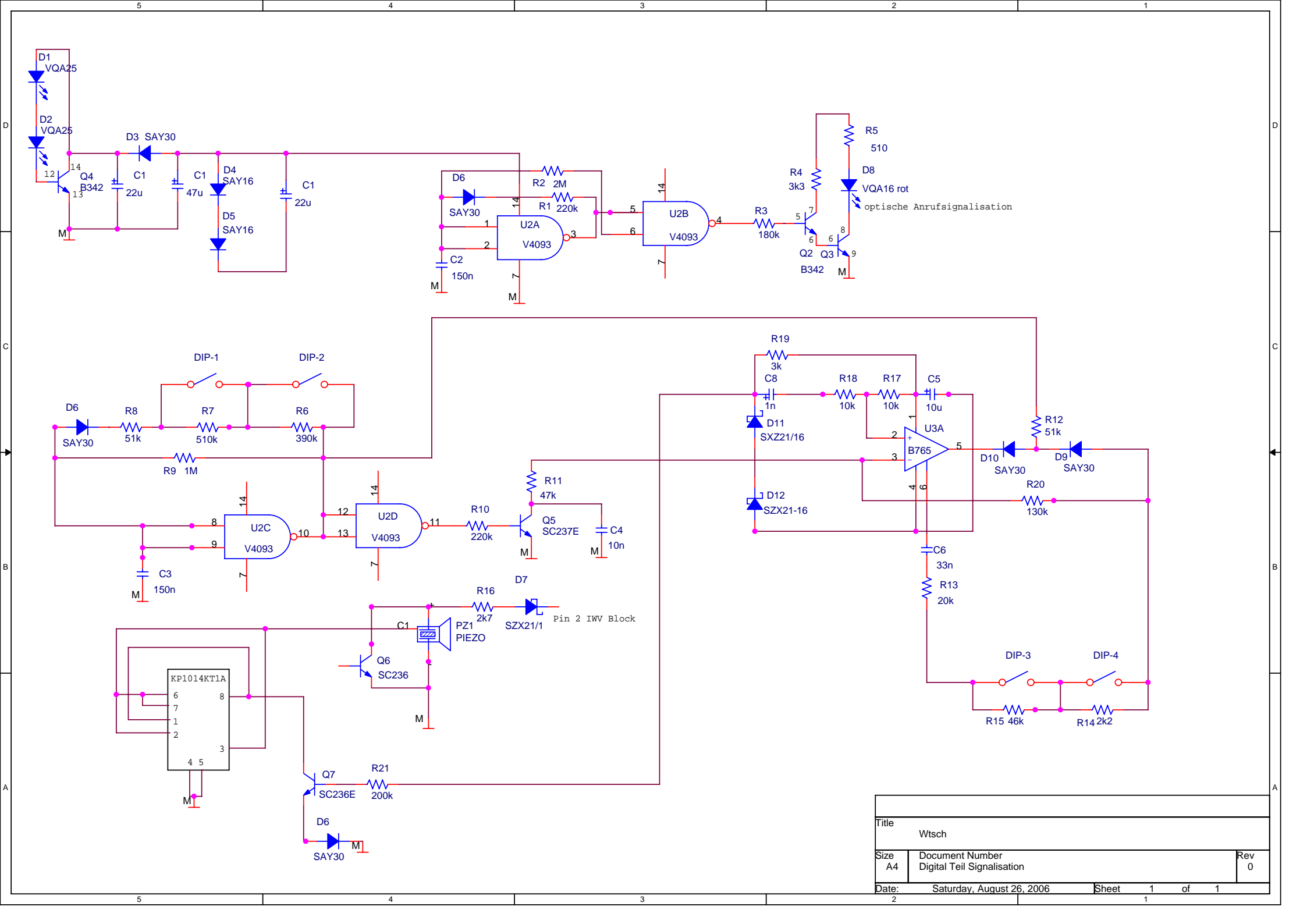
Title		
Teil Hörkapsel Signal		
Size	Document Number	Rev
A4	Wtsch	
Date:	Friday, August 18, 2006	Sheet 1 of 1
2		



Title		
Wtsch Apparat		
Size	Document Number	Rev
A4	Digital Komponente Wtsch	0
Date:	Friday, August 25, 2006	Sheet 1 of 1



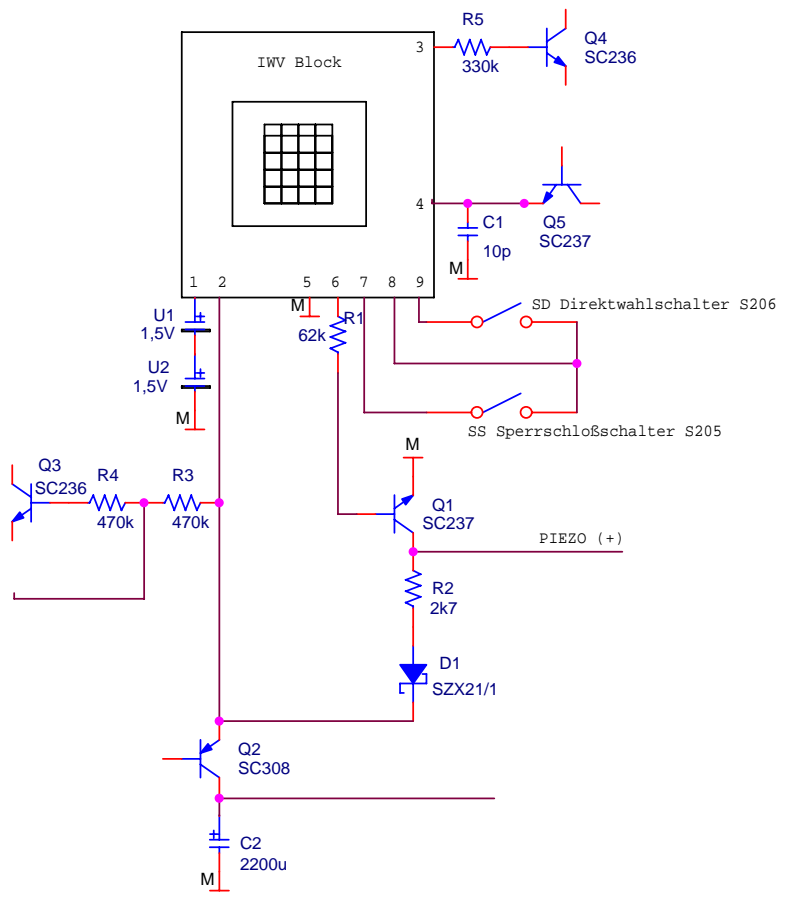
Title		
Wtsch Apparat		
Size	Document Number	Rev
A4	Anschluss Wtsch	0
Date:	Saturday, August 26, 2006	Sheet 1 of 1



Title		
Wtsch		
Size	Document Number	Rev
A4	Digital Teil Signalisation	0
Date:	Saturday, August 26, 2006	Sheet 1 of 1

IWV
 besteht aus:
 B176 Takterzeugung mit Quarz 1MHz
 CPU und LCD Treiber:

U8246P und U8047P1



Title		
<Title>		
Size	Document Number	Rev
A4	<Doc>	<RevCode>
Date:	Saturday, August 26, 2006	Sheet 1 of 1
2		1